

KEL-JUMBO flex

Cable Entry Grommets



Product Description

The KEL-JUMBO flex is a flexible cable entry grommet for cables without connectors with a diameter range from 27 - 68 mm.

They are ideal for the routing supply cables into the electronic enclosures.

Cutting of KEL-JUMBO flex grommets:

- Cable diameter less 25%
- The corresponding diameters are marked on the grommet

It is recommended that additional strain relief be provided for cables as part of the installation.

Advantages & Benefits

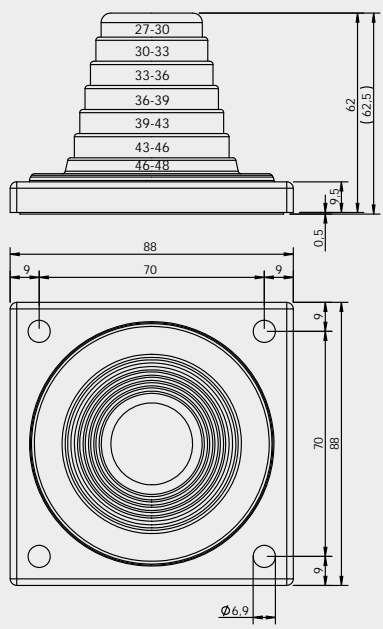
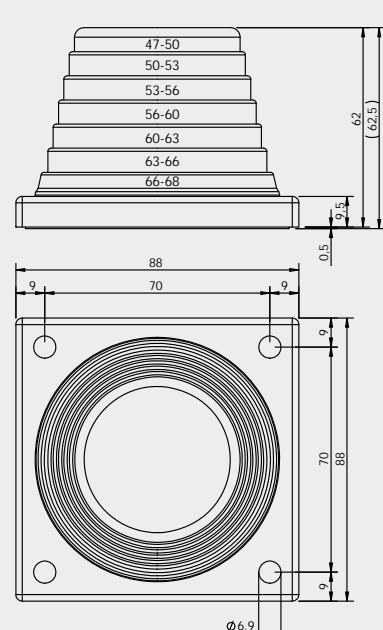
- Quick assembly
- Grommets allow dynamic and flexible movement of rigid cables
- Compact installation area (88 × 88 mm)

Specifications

Material	Frame: Polyamide (PA) Pyramid: Elastomer
Flame class	UL94-Vo
IP rating	IP54
NEMA type rating	NEMA type 12 (acc. to UL 50E)
Temperature	- 40°C to + 90°C (static) - 40°F to + 194°F (static)
Properties	Halogen-free, silicone-free
Cut-out dimensions	Round, Ø-cable +20%

Accessories

MP Module plates	148 - 149
BP Blank plates	158 - 159

Description	Type	Order No.	Clamping range	PU
	KEL-JUMBO flex 27-48	42614	27 - 48 mm	1
	KEL-JUMBO flex 47-68	42616	47 - 68 mm	1