

KEL-JUMBO

Cable Entry Frames for Supply Cables



IP54



Also available with stainless steel screws (V2A).

1

Description	Type	Order No.	Dimension length width height	PU
-------------	------	-----------	--------------------------------------	----

Product Description

The KEL-JUMBO cable entry system for installation of cables and conduits with a diameter of up to 65 mm, especially suited for supply cables.

The innovative grommet design with the flex-membrane provides flexing and adjustment of the position for larger and more rigid cables.

We recommend round cut-outs, which can be made using standard punching tools.

Suggested cut-out: cable diameter +15 - 20%.
A flat rubber gasket is included in the shipment.

Advantages & Benefits

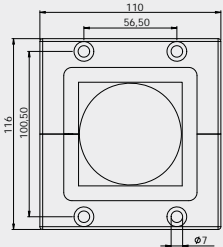
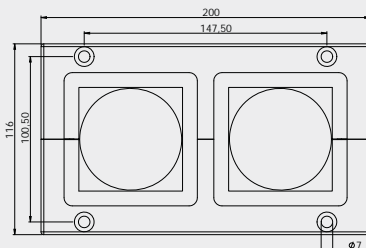
- Installation of cables up to 65 mm
- KTF grommets allow flexing and adjustment of the cable position
- Retrofitting and maintenance can be carried out easily and quickly
- Strain relief according to EN 62444

Specifications

Material	Polyamide (PA)
Flame class	UL94-Vo
IP rating	IP54
NEMA type rating	NEMA type 12 (acc. to UL 50E)
Temperature	- 40°C to + 140°C (static) - 40°F to + 284°F (static)
Properties	Halogen-free, silicone-free
Cut-out dimensions	Round, cable diameter +15%
Frame depth	35 mm

Accessories

KTF Cable grommets	35
KDR-ESR Base plates	142 - 143
KDR2 Split base plates	144 - 145
MP Module plates	148 - 149

	KEL-JUMBO 1	42360	110 × 116 × 35	1
	KEL-JUMBO 1 with V2A screws	42360.200	110 × 116 × 35	1
	KEL-JUMBO 2	42350	200 × 116 × 35	1
	KEL-JUMBO 2 with V2A screws	42350.200	200 × 116 × 35	1